



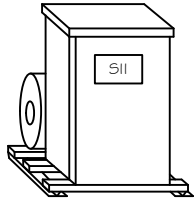
Steel Industries, Inc.

P.O. BOX 1461 2800 Hwy. 135 Kilgore, Texas 75662

PH# (903) 984-3061

FAX# (903) 984-1384

Application



H-A-S
Rotary Phase Converter
Converts
Single Phase Power
Into
Three Phase Power

Model Numbers

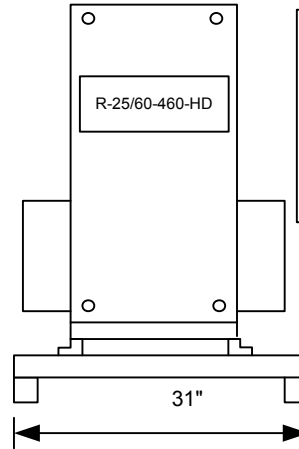
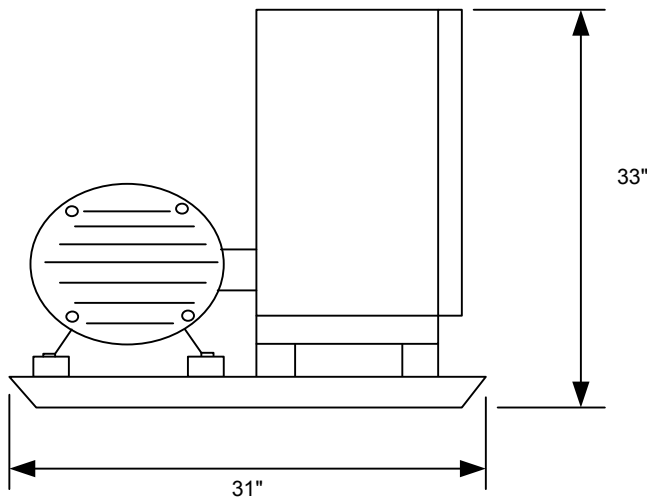
ODP MODEL

R-25/60-460-HD

TEFC MODEL

R-25/60-460-HD/TEFC

Measurements & Specifications



Weight: ODP: 465 lbs. TEFC: 660 lbs.

Enclosure Size/Type: 2/ NEMA 3R

Base Size: 5

***Assembled, Tested, and mounted on steel base ready for installation.**

Electrical Specifications & Service Requirements

Voltage Input: 460

Voltage Output: 460

Max. Single Phase Current Input: 154 A

Idle Current: 7 A

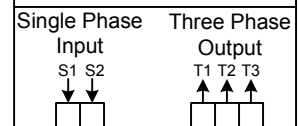
Inrush Current: 220A

Largest Motor Starting Capacity: 25HP

Total Running Horse Power Capacity: 60HP

Note: Converter should not run for long periods with no load.

200A Disconnect Switch
3/0 Wire (Recommended)



Terminal Block Section

Capacitor Section