



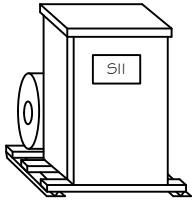
Steelman Industries, Inc.

P.O. BOX 1461 2800 Hwy. 135 Kilgore, Texas 75662

PH# (903) 984-3061

FAX# (903) 984-1384

Application



H-A-S
Rotary Phase Converter
 Converts
 Single Phase Power
 Into
 Three Phase Power

Model Numbers

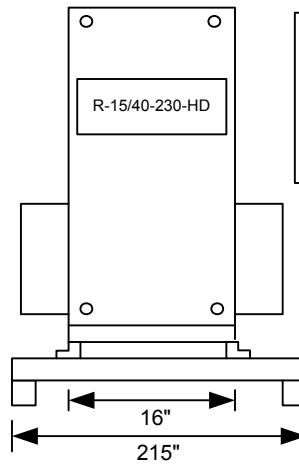
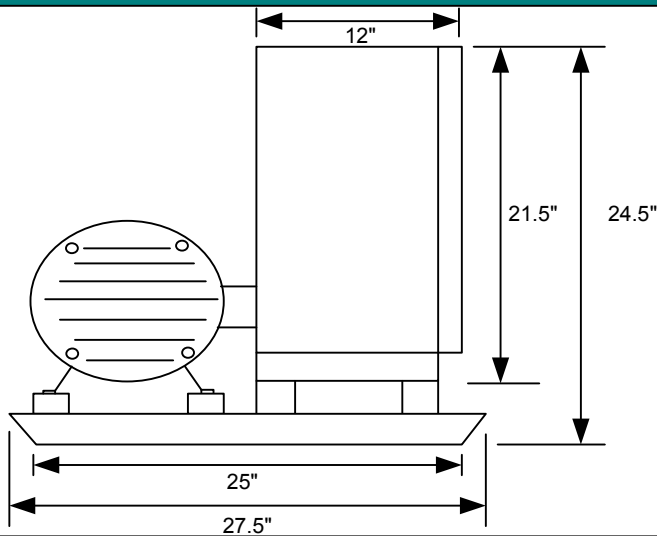
ODP MODEL

R-15/40-230-HD

TEFC MODEL

R-15/40-230-HD/TEFC

Measurements & Specifications



ODP Weight: 360 lbs.

TEFC Weight: 475 lbs.

*Assembled, Tested, and mounted on steel base ready for installation.

Electrical Specifications & Service Requirements

Voltage Input: 230

Voltage Output: 230

Max. Single Phase Current Input: 208 A

Idle Current: 14 A

Inrush Current: 360A

Largest Motor Starting Capacity: 15HP

Total Running Horse Power Capacity: 40HP

Note: Converter should not run for long periods with no load.

250A Disconnect Switch
 3/0 Wire (Recommended)

